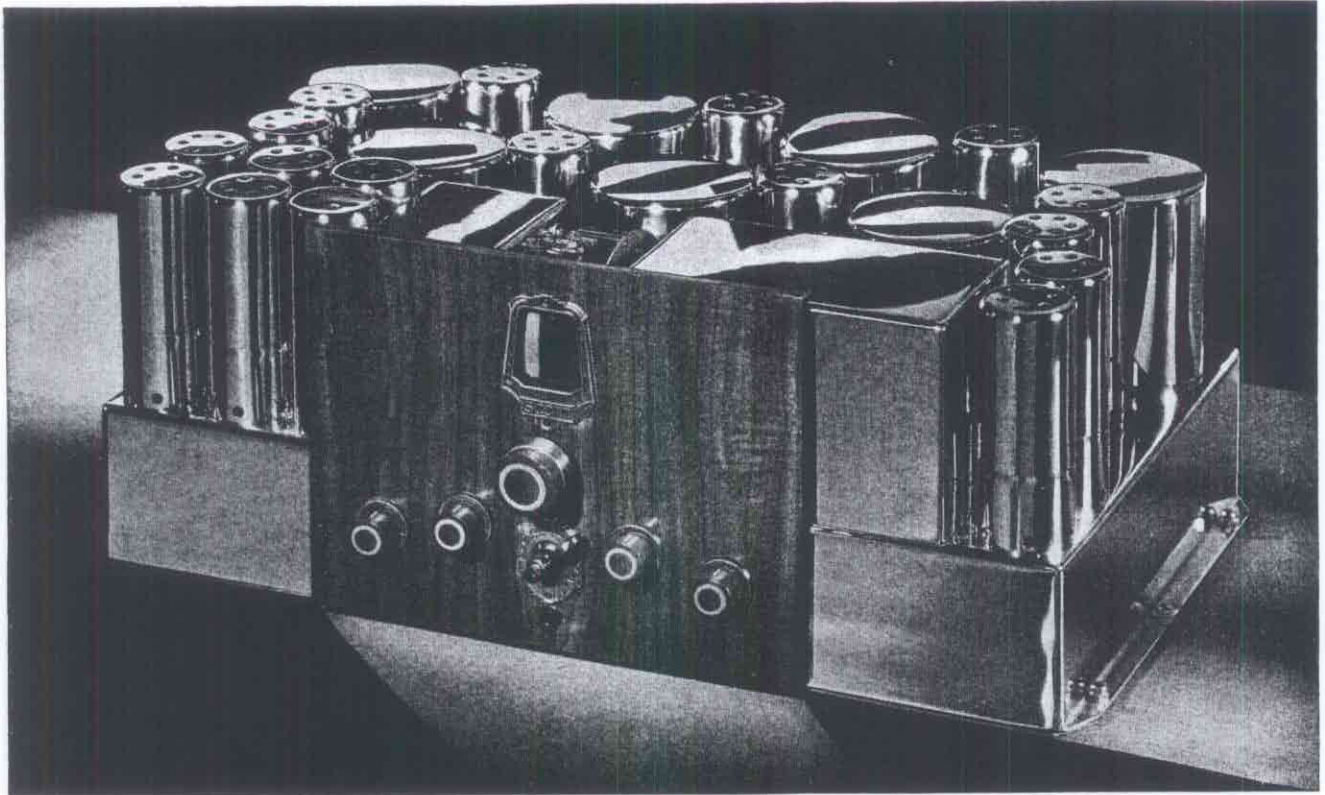
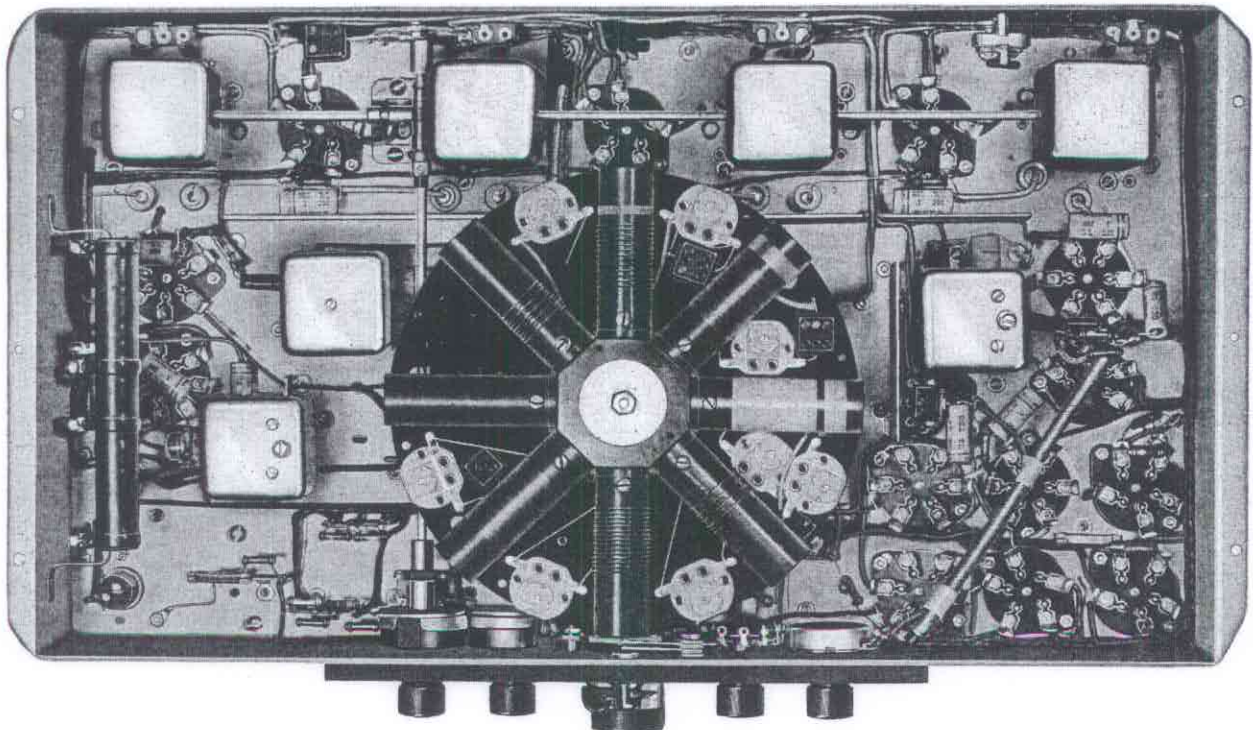


THE FINEST ALLWAVE HIGH FIDELITY RADIO RECEIVER IN THE WORLD



THE 23 TUBE SCOTT FULL RANGE HIGH FIDELITY ALLWAVE CHASSIS



VIEW UNDER CHASSIS SHOWING WAVE CHANGE COILS, SELECTIVITY-FIDELITY CONTROL, ETC.

NO OTHER radio receiver in the world has such high quality parts or is built with the precision of the new 23 tube SCOTT FULL RANGE HIGH FIDELITY ALLWAVE RECEIVER. Most people on seeing the beautifully constructed, chromium plated chassis and amplifier for the first time, are under the impression they are looking at a special set that has been created for show purposes, and are surprised to know that the receiver they are looking at is exactly the same as everyone that leaves the Laboratory.

What is equally important, however, is the fact that the beautiful outside finish is not merely "skin deep," for the parts that are not seen are of exactly the same high quality as those that are seen. An examination of the workmanship under the Scott chassis creates much the same impression as does the examination of the inside of a really fine watch.

WHY SCOTT RECEIVERS ARE FINISHED IN CHROMIUM

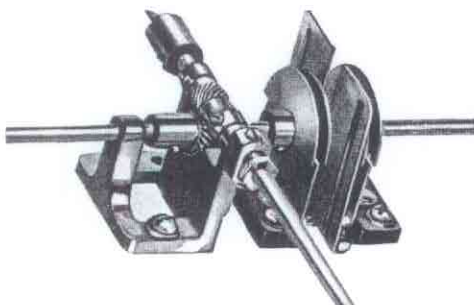
However, the beautiful finish of a Scott Receiver is not merely for show. They are shipped to every part of the civilized world, and their finish and construction must be such, that, to stand up and give continuous service for the five years for which they are guaranteed, the finish and construction must be as perfect as it is possible for human hands to make it.

Scott Receivers have been finished in chromium for many years, because it is the only known finish that will retain its gleaming surface indefinitely, in humid tropical climates, and in locations near the sea coast.

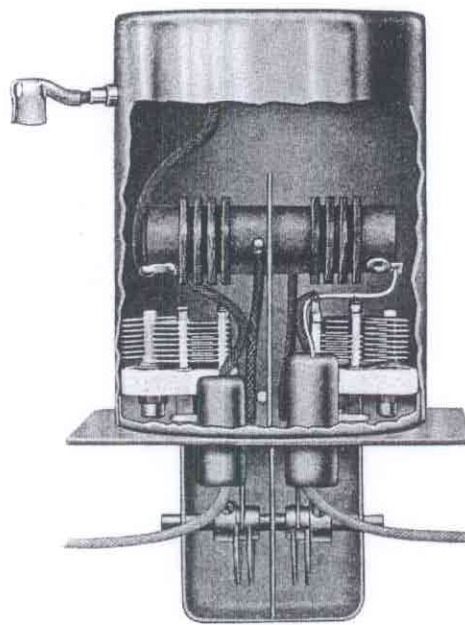
AN INTERESTING COMPARISON

All parts that go into the construction of a Scott Receiver are oversize, with safety factors many times that of the ordinary receiver. One very interesting comparison to make between a Scott Receiver, and the regular type of radio, is that of the size of the Power Transformer and the Chokes mounted on the amplifier base, with the Power Transformers and Chokes used in the regular type of receiver. Oversize transformers and chokes mean years of trouble-free service.

Another interesting comparison is the size of the shielding cans of our new receiver with that of any other receiver, for large shield cans mean greater coil efficiency and sensitivity.



WORM GEAR DRIVE OF SELECTIVITY FIDELITY CONTROL



AIR TUNED—4 PI—I.F. TRANSFORMER UNIT

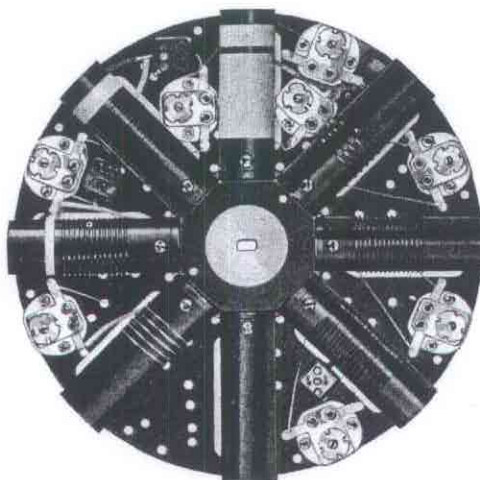
PATENTED WAVE CHANGER INSURES PERFECT CONTACT

Instead of the usual commercial type of coils used to secure reception on the various wave bands, in the Scott Receiver is incorporated a special patented wave change system that is the result of many years of research, and is used exclusively in Scott Receivers. It insures perfect contact between the coils at all times, and the shortest possible connections between the coils and the tubes to secure maximum sensitivity in bringing in distant stations from all parts of the world.

DESIGN YEARS AHEAD OF ORDINARY RADIO RECEIVERS

On the opposite page is a photograph of the top of the chassis, and also a view with the bottom plate of the chassis removed. It is not necessary to be an engineer to realize that here is an instrument of precision.

But the mechanical perfection of the new 23 tube SCOTT FULL RANGE HIGH



TOP OF WAVE CHANGE COILS

FIDELITY ALLWAVE RECEIVER is only one evidence of its superiority. Incorporated in its design, are features so advanced that it will probably be several years before they are found in the regular commercial type of receiver.

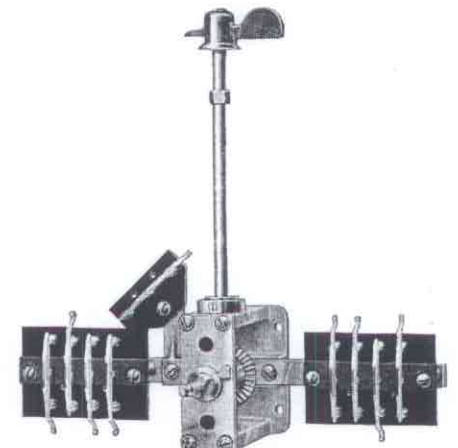
GUARANTEED TO BRING IN LONG DISTANCE STATIONS WITH MORE VOLUME

To bring in stations clearly and with good volume from all parts of the world, a radio receiver must have—first, a high degree of usable sensitivity combined with great selectivity. I believe these two qualities are combined in the new SCOTT FULL RANGE HIGH FIDELITY ALLWAVE RECEIVER to a higher degree than any other receiver in the world today. The high degree of sensitivity secured is largely due to the advanced design and extreme efficiency of the I.F. amplifier, with its 4 stage, air tuned, 4 Pi Litzendrath I.F. transformers.

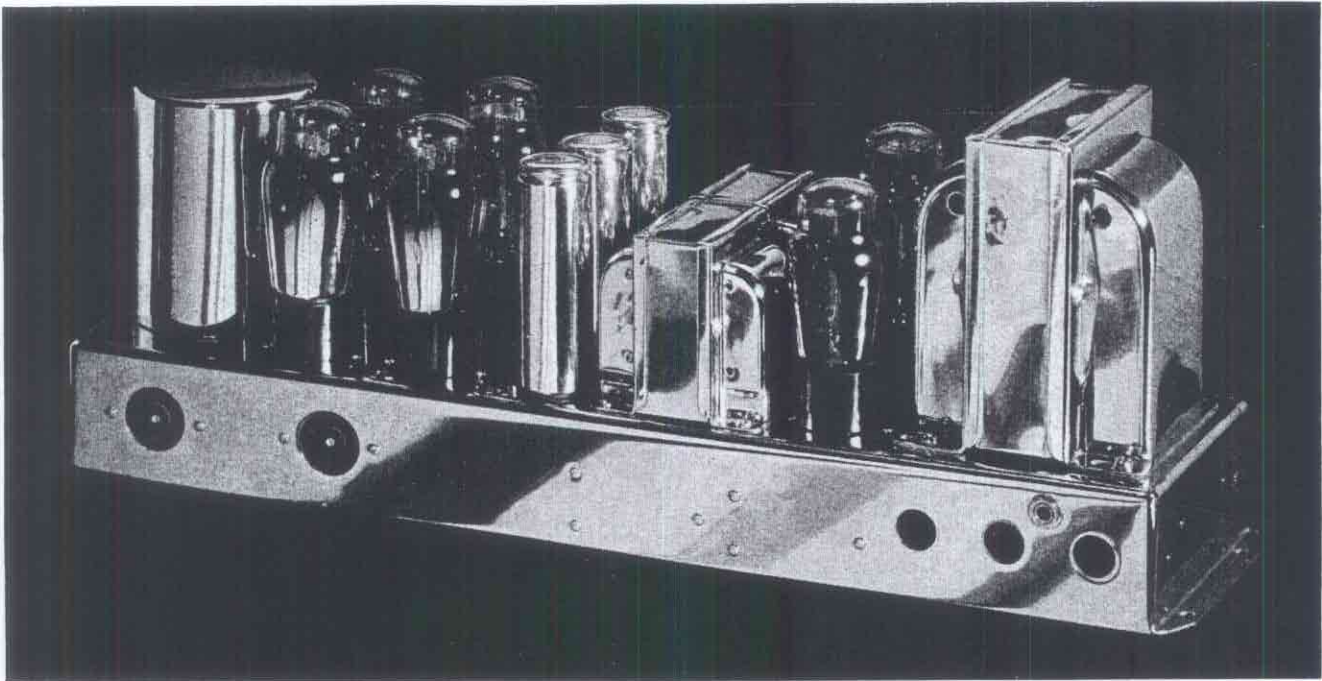
However, with thousands of stations now on the air in all parts of the world, a high degree of sensitivity is of little use unless the receiver is also capable of providing a high degree of selectivity. The Variable Selectivity system incorporated in our new receiver is the result of many months of intensive work in our research laboratory. It is continuously variable, and provides any degree of Selectivity desired from as sharp as 2 Kc. up to 16 Kc. This extreme usable Sensitivity and high selectivity, enables the 23 tube SCOTT FULL RANGE HIGH FIDELITY ALLWAVE RECEIVER to be guaranteed to bring in more distant stations, with greater volume, than any other receiver.

A PERFECT MUSICAL INSTRUMENT

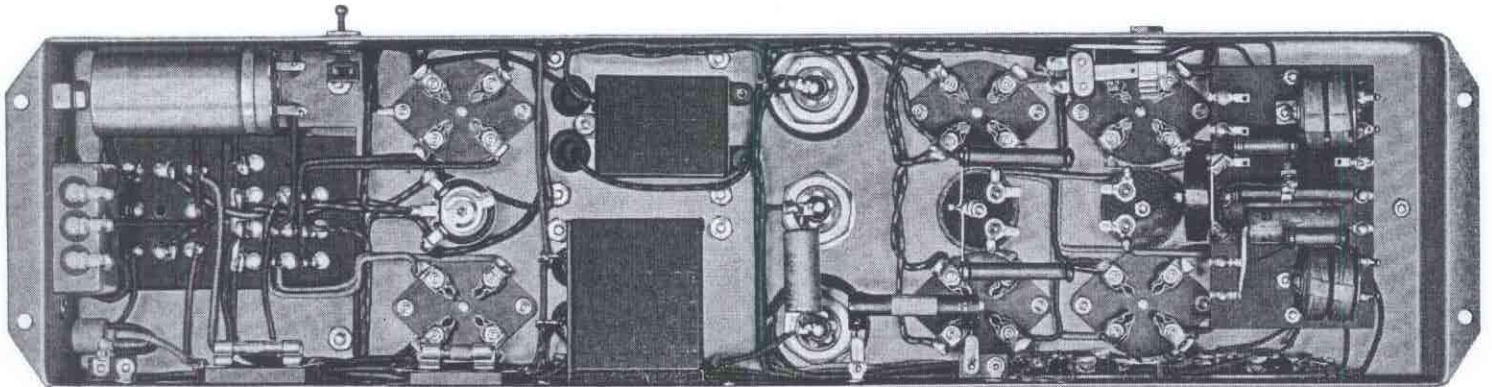
But tremendous Sensitivity and Selectivity are only two of the features of this remarkable receiver. From all over the world has come an enthusiastic response from musicians and those interested in perfect musical reproduction, who tell us that here at last is an instrument capable of reproducing perfectly every musical sound. The secret of this enthusiasm lies in the ability



THE CONTACTS AND SWITCH MECHANISM OF WAVE CHANGER



TOP AND BOTTOM VIEWS OF POWER AMPLIFIER FOR THE 23 TUBE
SCOTT FULL RANGE HIGH FIDELITY ALLWAVE RECEIVER



of our new receiver to reproduce faithfully every frequency audible to the human ear, the complete audible range from 25 to 16,000 cycles, more than twice the frequency range of any other radio receiver. This extreme frequency range is a feature that is now being pioneered by the Scott Laboratories, and I confidently predict that the frequency range of the 23 tube SCOTT FULL RANGE HIGH FIDELITY ALL-WAVE RECEIVER, will be the frequency range of the ordinary radio receiver produced two or three years from today.

AND IF YOU BUY A SCOTT RECEIVER

Generally when you buy an automobile or refrigerator or similar type of product, you rarely hear from the manufacturer again until he believes the time has arrived when he can sell you a newer model.

When you become the owner of a Scott Receiver, however, it is just the start of our association with you, for we believe that a Scott owner who is getting the greatest de-

gree of satisfaction, is one of the most valuable assets in our business. For this reason, each month, as long as you own your Scott Allwave, you receive, without charge, the latest advance information on the best foreign short wave stations on the air, with a unique time table showing exactly the time they can be received in each of the four time zones.

A SPECIAL SERVICE TO SCOTT OWNERS

Many hundreds of owners have written us that the first really satisfactory reception they have heard from a radio receiver was when they bought their Scott. Very often this is due to the fact that this owner had some special reception problem in his particular location. Perhaps it was necessary for us to work out some special type of antenna installation, or give him other assistance, which, together with his efficient Scott Receiver, enabled him to secure satisfactory reception for the first time.

Very often owners are interested in using an extra speaker in some other room in the

home, or wish to make a permanent installation of the receiver in a bookcase, etc. In cases like this, you have at your disposal the complete facilities of the Laboratory to help you make the best possible installation.

This personal contact that is continuously maintained with Scott Owners is just one of the reasons why our business has slowly but steadily grown right thru these depression years. When you buy a SCOTT ALL-WAVE RECEIVER you get more than just the finest radio being built today, for with it you receive a service and cooperation that assures you at all times of the greatest possible satisfaction in the operation of your set.

If at any time you visit Chicago, you are extended a most cordial invitation to visit the Laboratories, where it will be a pleasure, not only to let you see and hear the receiver itself perform, but also to conduct you thru each section of the laboratory where you will see the beautiful, expert workmanship, that goes into each set, and exactly how it is tested and checked at every stage of its construction.

Some Recent Performance Reports on the New 23 Tube Scott Full Range High Fidelity Allwave Receiver

Naturally, when a manufacturer describes his product he makes the description and results that can be accomplished with it as enthusiastic as possible. Most people, however, prefer a little more unbiased evidence. The letters reproduced below were sent quite voluntarily, and are simply evidence of the enthusiasm the performance of a Scott Receiver generates in those who own one.

If it is not possible for you to visit the laboratory, and you would like to hear a Scott Receiver before you place your order, advise me, and I will be very happy to give you the name and address of the Scott owner nearest to you, together with a note of introduction, which I feel sure will be sufficient to obtain for you a complete demonstration of the performance of his receiver, and will quickly prove to your satisfaction that the new 23 tube Scott Full Range High Fidelity Allwave Receiver truly deserves its title "The World's Finest Radio Receiver."

THE ULTIMATE ACHIEVEMENT IN RADIO RECEPTION

"In this, my first letter since operating the receiver, I will not bother to give you lengthy logs of stations received, but I will say that I am able to hear any station in the world capable of putting an impulse in my antenna. I have heard them from the other side of the earth, need I say more? Occasionally, during our lives we are privileged in seeing or hearing the activities of our fellow men achieve superb heights. At these times, whether they be in the field of athletics, business, science, art, or any combination of them, I am intensely moved. I am so moved as I listen to the Scott. To me, this instrument represents the effort of one whose heart and soul is in the achievement of the ultimate in radio reception."

H. S. Mason, Jr., Azusa, Calif.

PERFORMS PERFECTLY

"I received my SCOTT FULL RANGE HIGH FIDELITY ALLWAVE RECEIVER last week and am writing you to let you know it justifies all your claims as to tone, range, and selectivity. Without a doubt, it is the finest set I have ever heard. The set performs perfectly and is the source of much pleasure and amazement to all of my friends who have heard it."

A. J. McCullough, Chicago, Ill.

HEARS AUSTRALIA ON 15 FT. ANTENNA

"The SCOTT FULL RANGE HIGH FIDELITY ALLWAVE RECEIVER is working as you intended it should. It beats everything, reproduces everything. Recently have been operating it on an inside aerial on account of the electrical storms we are having. Last Sunday morning Sydney, Australia, came in quite clearly while I was using an inside antenna less than 15 feet in length."

C. M. Richardson, Mishawaka, Ind.

RANCHO YUCCA LOMA

VICTORVILLE
CALIFORNIA

E. H. Scott Esq.,
4450 Ravenswood Ave.,
Chicago, Ill.

October 20th, 1935.

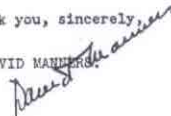
Dear Mr. Scott,

Now that the Scott Allwave Receiver has been carefully installed, following your instructions to the letter, I can offer you my whole hearted congratulations and thanks for the existence of this wonderful instrument. It has truly surpassed our expectations in every way. Its range, tone, sensitivity and freedom from noise are a revelation and it is needless to tell you that it is our unanimous choice over a similarly advertised receiver.

You must have become quite used to enthusiastic letters from your customers, but I can see now that they are genuine. I never thought I would be writing a letter like this, but when one hears a great artist give a magnificent performance, one finds oneself out of one seat shouting and applauding without reserve, and that's the way I feel about your radio achievement. I feel that you have made a very great contribution to this age we live in.

And I thank you, sincerely,

DAVID MANNERS



SURPRISED AT REALISTIC TONE

"I had my SCOTT FULL RANGE HIGH FIDELITY ALLWAVE installed in less than three-quarters of an hour. The looks and finish impressed me very much indeed. And as for the tone, I was surprised that a radio could sound so realistic. England, France, Germany, Italy and Rome come in like locals, with the volume on only one-quarter turn. I can see plenty of days of enjoyment with my SCOTT ALLWAVE. I am proud of my SCOTT ALLWAVE, and I want you to know it."

Edgar F. Girard, Holyoke, Mass.

PERFECT SELECTIVITY

"I have never heard another set with such tremendous volume. or with such perfect selectivity. As I told you before I am interested in short wave. I have had some very fine reception from foreign stations. The loudest so far has been Holland on 16 meters. The most consistent reception has been from London. I listen to their news broadcasts regularly at either 7:45 or 9:45 every evening. Japan on 27 and Melbourne have been good most every morning."

G. E. Osha, Minneapolis, Minn

UNLIMITED POWER WITHOUT DISTORTION

"I am not an authority on radios, but even a child can recognize the superior qualities of a Scott. The reproduction is so natural that I have had my two year old child ask me where the man was hiding. I have not spent a great deal of time trying to log foreign stations, but I do get London, and JVH, Japan, quite consistently and with good volume. I derive my greatest enjoyment from listening to local and semi-local stations on the broadcast band. I have had time to fully appreciate the usefulness of the Sensitivity and Selectivity-High Fidelity controls. With these controls, tuning is sharp, easy, efficient, and a pleasure. The unlimited power accompanied with lack of distortion and realistic tone is always a temptation to turn on more volume. When a station is tuned comparatively loud, the reception is still pleasing and does not irritate the nerves and ears. I have been told that I am the only Scott Owner in Salinas; I am proud of that distinction and I hope that the interest and enthusiasm I have aroused will some day prove of benefit to you."

Harry Boucher, Salinas, Calif.

DISTANCE RANGE IS REMARKABLE

"I received the radio receiver in excellent condition. From the standpoint of a radio technician, it may interest you to know that I have always been rather skeptical of all radio receivers, knowing as I do their limitations and the vagaries of radio reception. I have tried out and listened to some of the best commercial sets on the market and among these the —, —, —, —, and will honestly say that I was most agreeably surprised at the performance of your 23 tube SCOTT FULL RANGE HIGH FIDELITY RECEIVER. You have made no claims regarding your set which are not true. The distance range is remarkable and the tone is to say the least, SIMPLY BEAUTIFUL. I never listened to as wonderful a musical instrument as this receiver proves to be."

H. D. Oliver, Missoula, Mont.

**TESTS MANY OTHER RECEIVERS—
BUYS A SCOTT**

"Kindly allow me to thank you for making it possible for anyone, looking over the radio market, to be able to purchase such a fine receiver. Before I purchased your radio I had at least five 'over the counter' radios demonstrated in my home, and they were plenty lacking. The point is, that I cannot see why anyone who wants the best does not go into the matter far enough to discover 'Scott.' These people who want the best, pay more than you ask for 'Scott' and get much less. December 1st, 1934, I decided to buy my Mother a radio for Christmas. We tried many. She was pleased with any of them, but not me. It was May, 1935, when I made a purchase and it was a 'Scott.' Your 'ad' in the Geographic magazine was the start. Business institutions like yours should live forever, because you are really honest with the layman. The firm whose name appears on this paper has been in business over 65 years. My father has been a member of it for 30 years. Somehow, I believe we have the same ideals. Well, anyway, thanks for selling me a 'Scott.' KKH in Honolulu came in last night like a local, between 11:30 and 12:00 midnight, C.S.T."

G. H. Himmelheber, Pekin, Ill.

**"HAS BEEN A PLEASURE TO
DEAL WITH YOU"**

"Your SCOTT FULL RANGE HIGH FIDELITY ALLWAVE RECEIVER is certainly a masterpiece of precision and skill, a beautiful and faithful musical instrument. You should be proud of having created it. I want you also to know that I am very pleased with the way you conduct your business, and I assure you that it has been a pleasure for me to deal with you."

L. Seeley, Endicott, N. Y.

NOTHING LIKE IT IN RADIO BEFORE

"Its tone on any good station and under reasonably good atmospheric conditions, is superb. Everyone who has heard it cannot praise it enough—'nothing in radio like it before.' Frequently members of my family have been startled upon my tuning

in a station where someone is speaking, having the illusion that a stranger had entered the home. Recently I had difficulty in convincing my wife that the birds chirping and singing in the studio on a particular WOR program were actually a part of the broadcast. She was sure she heard the birds in the garden outside the house. I have received numerous short wave stations, practically all that you listed in your short wave schedule, and others beside. Every-morning, with the exception of three, when I did not listen in, I have received Australian stations. I get especially good signal reception on the 20 meter amateur band. For thrills, amusement and an 'ear to the ground' contact with human nature, this 20 meter band is one of the best. Moreover, the distance and clarity of many of these signals with amazingly low power are almost unbelievable. I feel that the attention of Scott owners should be called to the 20 meter band. It may interest you to know that I have tested the calibration of my receiver by means of the CW signals sent out by WWV on 10 and 15 megs. The signals came in 'right on the head.'"

Henry E. Norwood, Bethlehem, Pa.

"HAS NO EQUAL"

"After several months of enjoyment with my SCOTT FULL RANGE HIGH FIDELITY ALLWAVE RECEIVER, I wish to express my pleasure at having been introduced to such a wonderful receiver. Stations which I have reached, so far, South America, Australia, Italy, England, Germany, France, etc., come in as clearly as any local station. I am looking forward to the coming months and anticipate a delightful winter with my set, which I feel, has no equal."

Arthur Simpson, Pawtucket, R. I.

**GETS USABLE RECEPTION FROM
ANY PART OF U. S. A.**

"I wish to thank you for the SCOTT NEWS which I received for August and later for September. Your new Scott Short Wave Radio Guide to foreign stations is a marvel of convenience. I found it of instant help to me although I had been tuning in London daily for the world news. I hope you continue with this guide making it more and more inclusive. It is an enormous pleasure to get usable reception from any part of the U. S. A., to say nothing of bringing in Europe. Never before have I heard such a phonograph reproduction. Instruments are heard which I never heard before coming from my favorite records. My radio is installed together with my smoking set on the right hand side of my desk and my phonograph and records on the left. Some day I expect to send you a photograph of what I call real comfort. A place where I can be at peace with the World and the World at my command to entertain me and my guests."

W. B. Umrston, San Antonio, Texas.

"I NEVER HEARD A RADIO BEFORE"

"About a week ago, two neighbors, collegebred people, stopped me on the street to ask where I got the wonderfully fine

toned radio. A visitor from New York who has often been a guest at broadcasts in Radio City asked if she might come up to my room to hear it. After listening to a symphonic number she said, 'Mrs. Bryden, I never heard a radio before!' I told her it was not a radio, it was a musical instrument. Static is bad tonight so I have cut out the double antenna and I am now listening to Berlin coming in with great volume with an 18-inch bit of wire. Ten minutes ago two more New Yorkers came in, one of them the leader of an orchestra. 'Wonderful! Marvelous! Perfect Tone, every instrument heard!' were some of his exclamations."

W. D. Bryden, Carbondale, Pa.

**CALIBRATION AND SELECTIVITY
PERFECT**

"It is a pleasure to do business with someone that really has the customer's interest at heart and is willing to cooperate to the limit to satisfy this customer. I have been getting acquainted with the new receiver in the last few days, and one of the outstanding features to the writer is the fact that when a station is tuned in it is not five or ten kilocycles off calibration, but right where it should be. The selectivity is perfection itself, on both the broadcast and short wave bands, and the tone is all that could be desired. The following is a list of stations that I have logged in the last few days. I was very much surprised at the stations that I was able to pick up on the 49 meter band, because this band is very noisy at this time of the year and the weather here has been around the 100 mark. I have already logged stations that I have never been able to get in this locality on any other set, and the writer has spent about six years in tuning the short waves on all kinds of receivers. I believe I am more critical than the average radio owner, but in this new receiver, Mr. Scott, you really have something to be proud of, and I, for one, think that you should really say more than you do about it to the prospective purchaser. Following is my log for the first week of tuning my SCOTT FULL RANGE HIGH FIDELITY RECEIVER: Yv6RV, Valencia; VENZ, EAQ, Madrid; GSC, London; DJA, Berlin; HCJB, Ecuador; VK2ME, Australia; PHI, Holland; PCJ, Holland; DJE, Berlin, GSG, London; Pontoise on 15.25; HAS-3, Hungary, VK3ME, Australia; VK3LR, Australia; YV5RMO, Maracaibo; Pontoise, 11.90; GSE, London; 2RO, Rome; DJD, Berlin; COC, Havana; YV2RC, Caracas; COCD, Havana; HJ1ABB, Barranquilla; HV3RC, Caracas; HAT-4, Budapest; PRF5, Rio de Janeiro; COH, Havana; JVM, Japan; HBP, Geneva; HBL, Geneva; HJ4ABC, Pereira; OAX4D, Lima; HAS-3, Budapest; HJ4ABA, Medellin; HIX, Santo Domingo; HJ4ABB, Manizales; CT1AA, Lisbon. I have not included any of the American or Canadian stations but have had practically all of them and most of them several times. I trust that you will pardon this lengthy letter, but felt that you would be interested in knowing just what results I have been able to get from my new receiver."

F. F. Pernal, Columbia, S. C.